

PATENTED



PUSH-TO-OPEN LOCKING SYSTEM

R-EVOLUTION



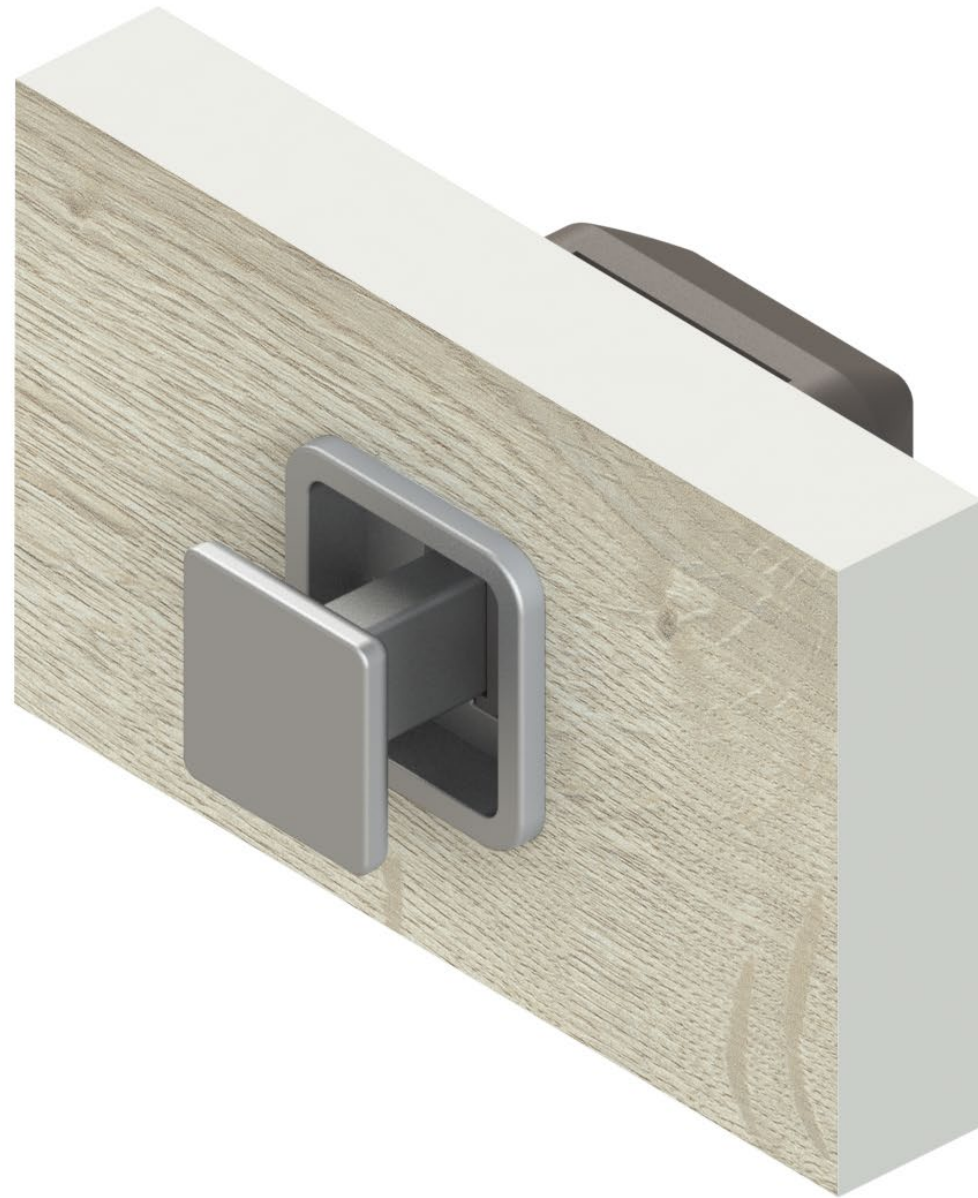
reddot winner 2024

 **confurn**
living solutions

R-EVOLUTION!

Our vision of a new push-to-open design has been realised in a unique, new locking system for which a patent has been applied for.

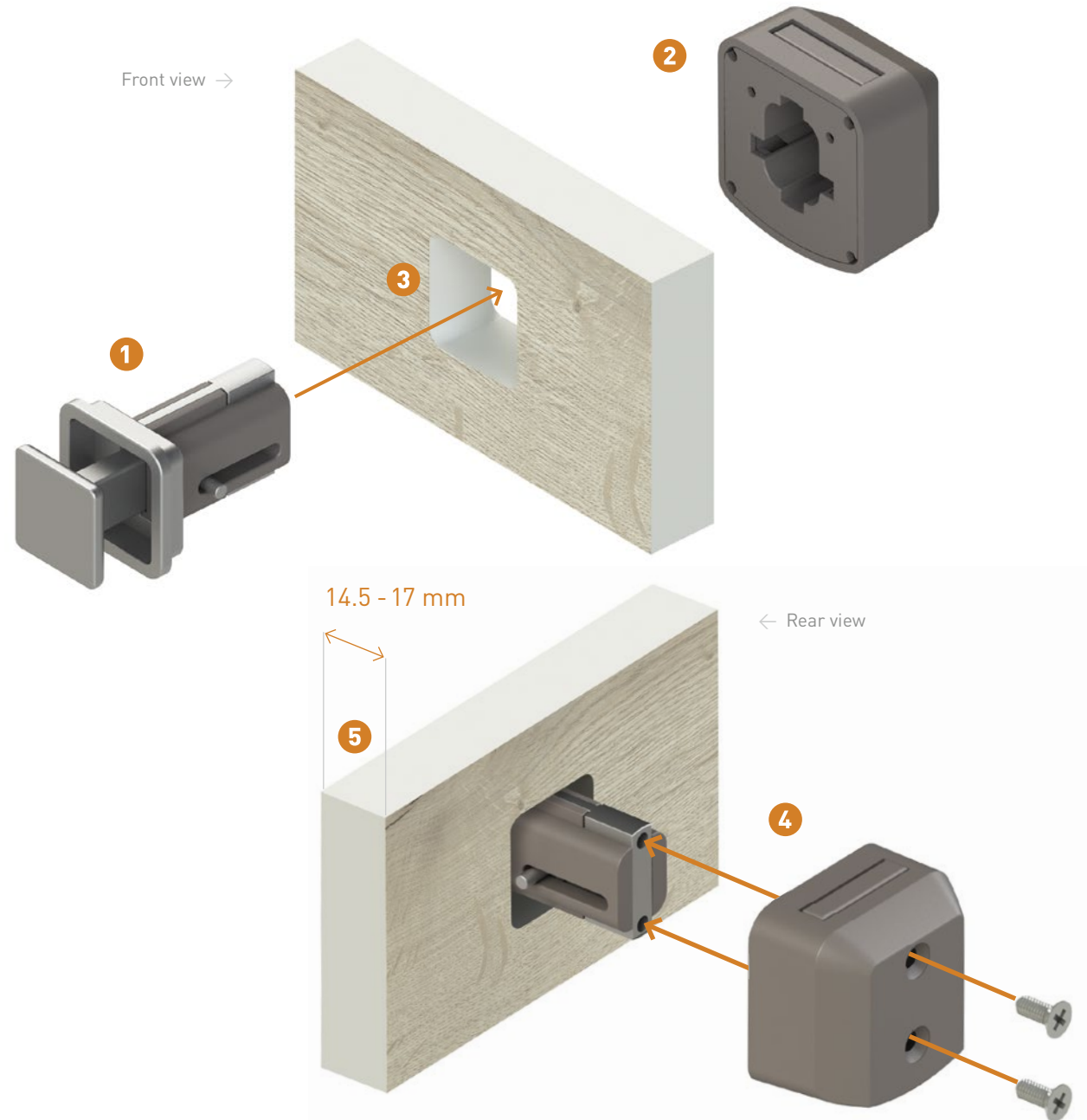
The innovative concept revolutionises the assembly of the lock and the functional knob.



THE NEW TECHNOLOGY

The R-EVOLUTION locking system consists of only **two assembly units** which are screwed to the panel.

- 1 Functional knob, escutcheon and push-to-open mechanism are integrated into **one component**.
- 2 The lock contains the latch mechanism as well as the mounting concept with M4 screws.
- 3 The panel milling is matched to the hardware design, can be radially drilled or shape-milled and enables **precise mounting**.
- 4 The fitting and the lock fit together perfectly and are fixed to the furniture front by screws. **There is no need for a screw connection in the front and a height adjustment of the knob by turning the lock is not necessary.** The knob always fits.
- 5 R-EVOLUTION is designed for panel thicknesses ranging from 14.5 mm to 17 mm and, with an additional spacer, even for thicknesses from 12 mm to 14.5 mm. Thus, the system is **versatile and can be used in a large tolerance range**.



THE ADVANTAGES

→ Easy assembly

The system consists of just two assembly units and is quick and easy to assemble.

→ For front thicknesses from 14.5 mm to 17 mm (with spacer element from 12 mm to 14.5 mm)

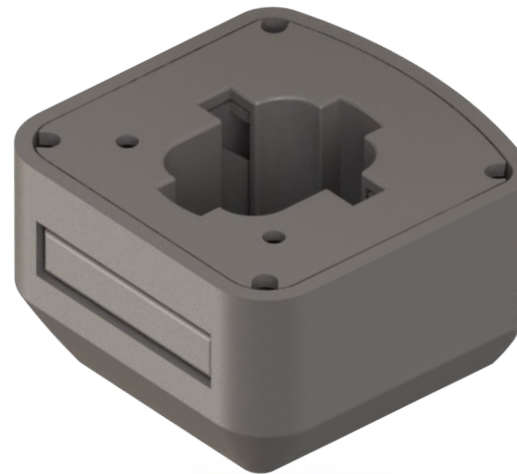
R-EVOLUTION is a “closed system” and guarantees precision fit within a wide range of tolerances of front panel thicknesses.

→ No knob adjustment required

The assembly unit consisting of knob, escutcheon and push-to-open mechanism always guarantees a perfectly adjusted position of the handle element, no matter which front panel thickness has been used.

→ Precise alignment thanks to the milling or the drilling

Thanks to the hole milling, the whole assembly unit is perfectly aligned. This is also possible for round escutcheons, thanks to a single additional hole for the anti-rotation protection.



→ Easier construction of flap doors

During installation, the two assembly units are simply screwed together, so screwing into the door material is not necessary. This eliminates the need for a solid reinforcement (armouring) of the door in this area. Flap doors can therefore be designed more easily and more cost-effectively.

→ Knob mounted on a plastic bearing

The knob is guided in its movement in a plastic bearing channel. It fits precisely, runs virtually wear-free and is therefore particularly silent.

→ Space-saving design

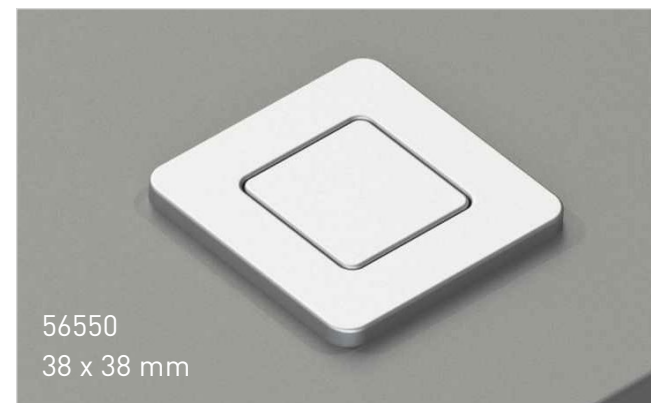
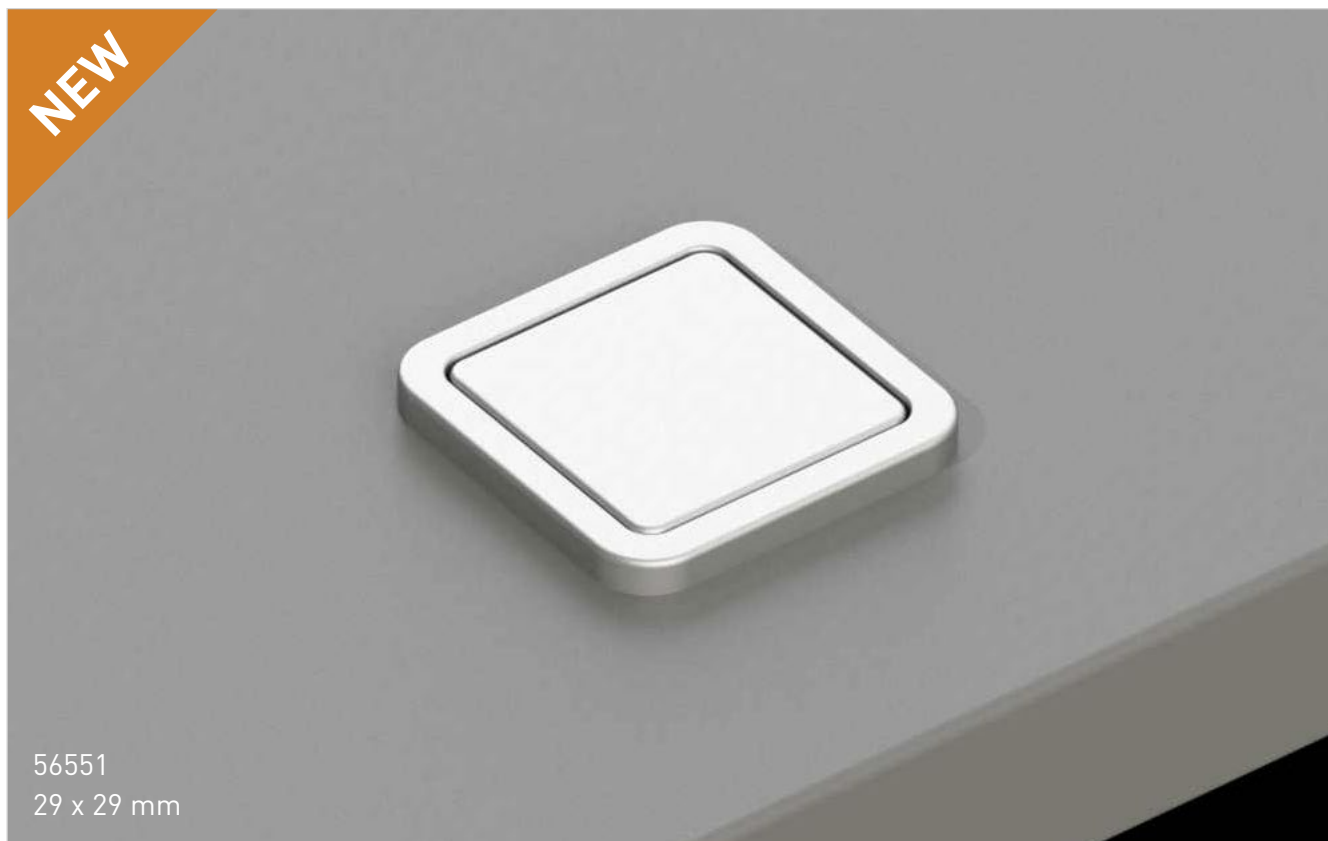
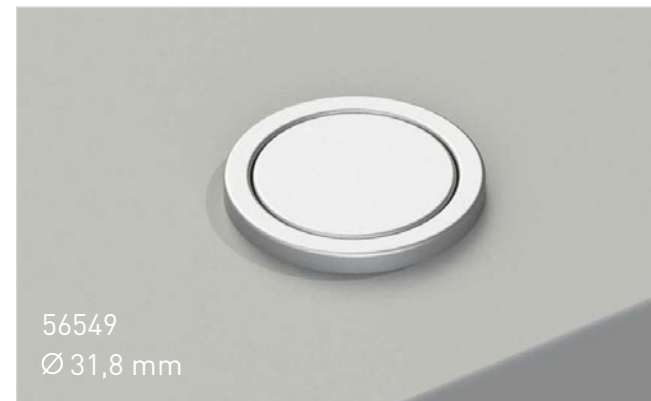
The mechanisms and components require very little installation space. So the lock is not only particularly compact, the escutcheon can also be designed very narrowly.

→ Advantage at the exhibition

The knob cannot be turned off separately.

PROVEN DESIGN WITH NEW TECHNOLOGY

In addition to the newly developed design, we have also adapted fittings from our current lines of products to the new technology...



PROVEN DESIGN WITH NEW TECHNOLOGY

...and manufactured them in various kinds of surfaces.



56549.0071



56551.0174



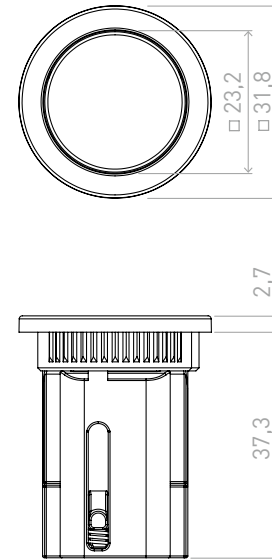
56550.0223

R-EVOLUTION 56549

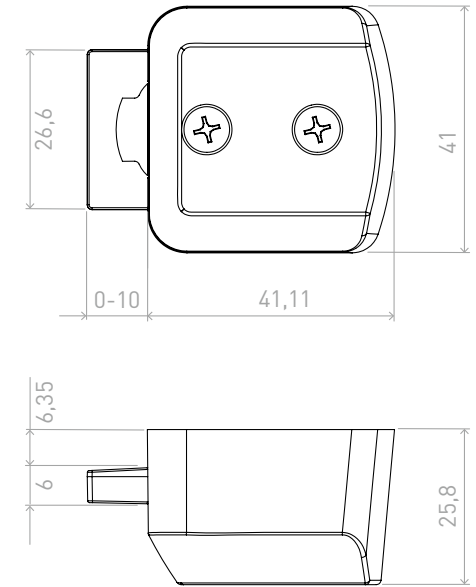


56549.0071

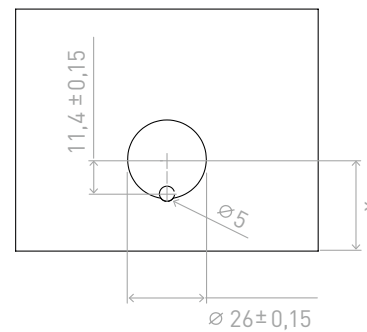
Functional knob



Lock

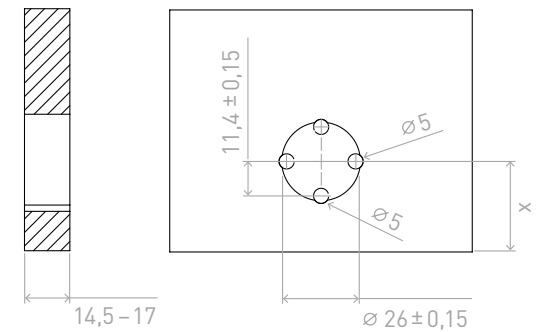


Drilling pattern



Optional drilling pattern

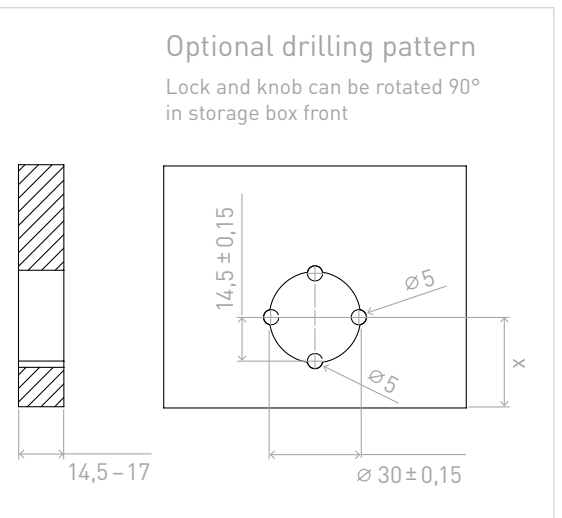
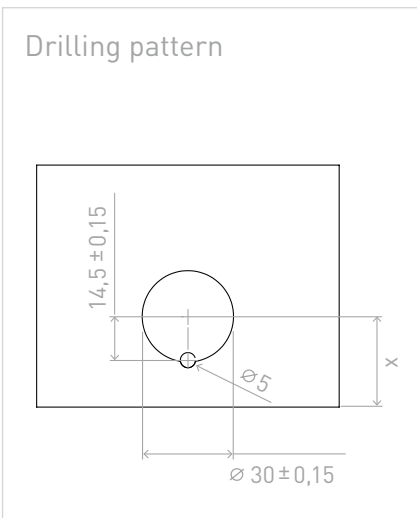
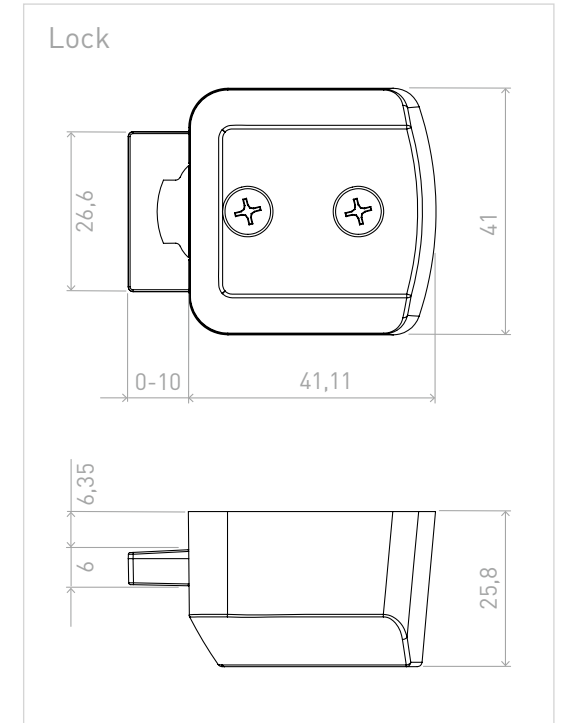
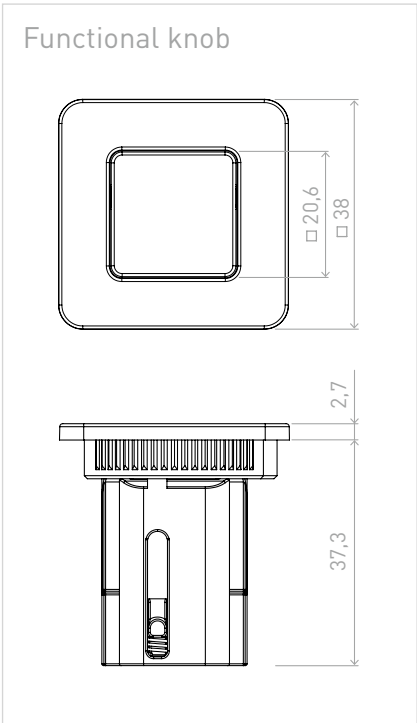
Lock and knob can be rotated 90°
in storage box front



R-EVOLUTION 56550



56550.0223

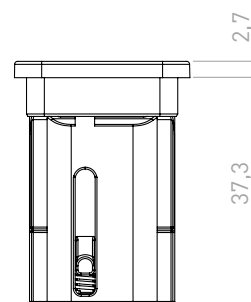
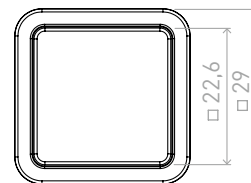


R-EVOLUTION 56551

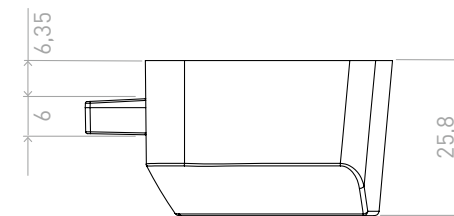
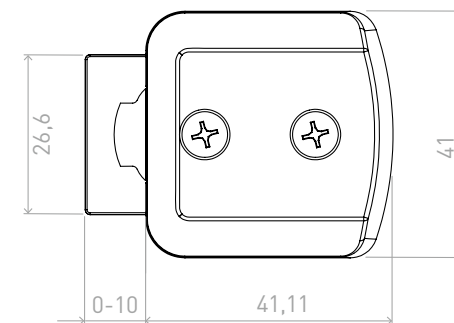


56551.0174

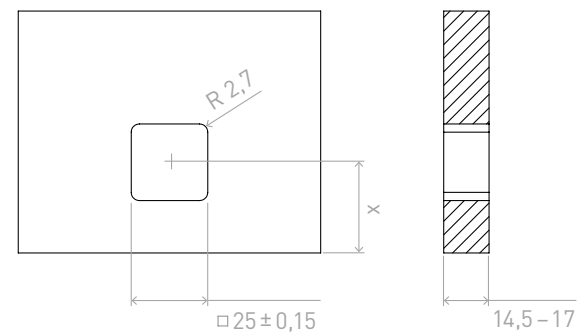
Functional knob



Lock

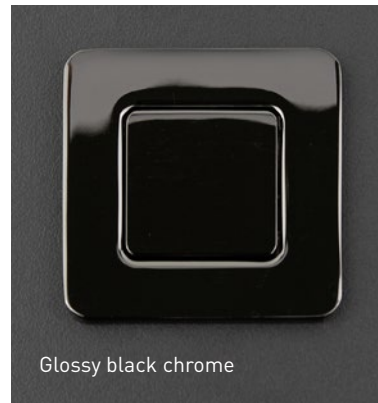
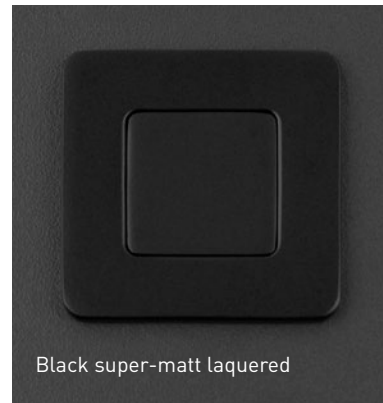
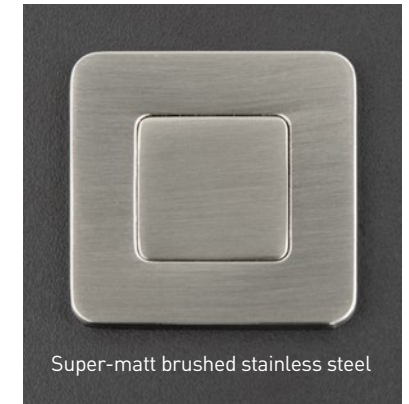


Milling pattern



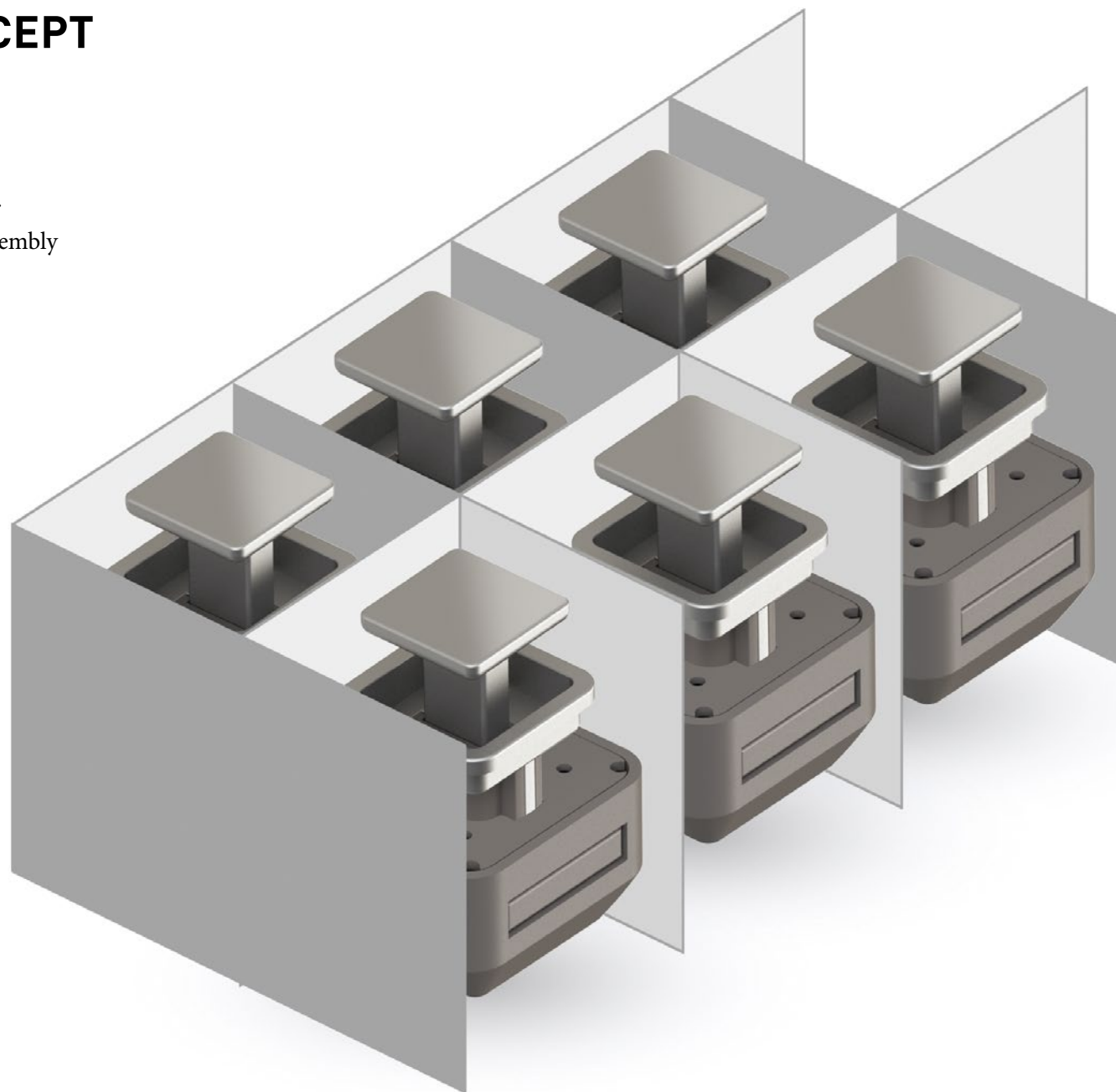
COLOURS AND SURFACES

We offer the following standard surfaces. However, we can also offer a wide range of other colours and surfaces on request.



NEW PACKAGING CONCEPT

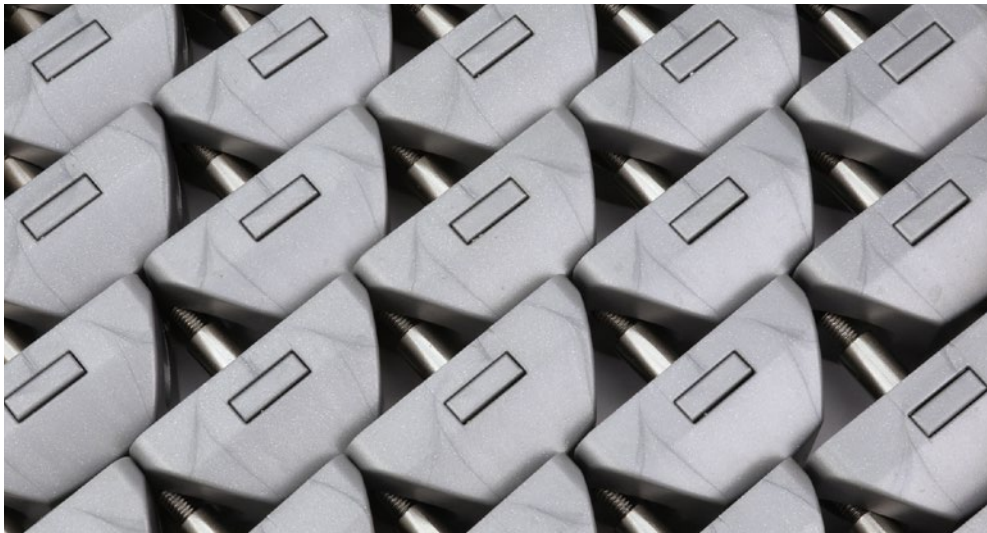
With our new packaging concept, we deliver our R-EVOLUTION locking system always as an assembly unit consisting of the knob and lock.



CONVENTIONAL PACKAGING



The currently standard knob and lock unit consists of three parts, which can be taken from two different cartons boxes. The individual packaging must be removed. Screws are separate and not included in the delivery.



NEW PACKAGING CONCEPT – R-EVOLUTION



The packaging concept of R-EVOLUTION enables the removal of the complete knob-lock unit including the required screws with one single movement. A separate packaging of the functional knobs is not necessary, so that they can be installed directly.

NEW PACKAGING CONCEPT

→ Optimum handling

Each assembly unit is nested together without being fixed - including the screws in the lock – and can be quickly removed from its respective compartment in the packaging with a single gesture. This saves time during assembly.

→ Eco-friendly packaging

Thanks to the cardboard box with compartments, the units are stored shock-proof. The use of the usual plastic film packaging and sealing in plastic bags is no longer necessary. The packaging consists solely of cardboard/paper. The use of adhesive paper strips ensures that materials can be recycled without the need for costly material separation.





CONTACT

Christian Petersmann

Sales

Phone +49 5734 9609-49

Mobile +49 170 1962206

christian.petersmann@confurn.de

www.confurn.de



▶ PDF download R-EVOLUTION

 **confurn**
living solutions